

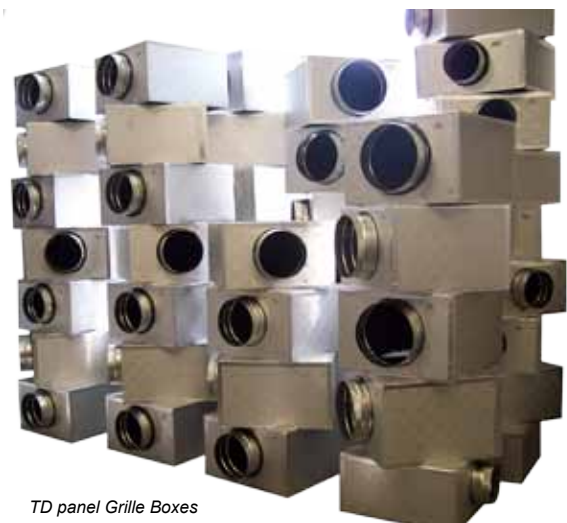
## Insulated Grille Boxes (TD panel)

Insulated Box (TD panel)	
Code	Description
GBTD150	TD Grille box 150x150(internal) - specify spigot size
GBTD200	TD Grille box 200x200(internal) - specify spigot size
GBTD225	TD Grille box 225x225(internal) - specify spigot size
GBTD250	TD Grille box 250x250(internal) - specify spigot size
GBTD300	TD Grille box 300x300(internal) - specify spigot size
GBTD350	TD Grille box 350x350(internal) - specify spigot size
GBTD375	TD Grille box 375x375(internal) - specify spigot size
GBTD400	TD Grille box 400x400(internal) - specify spigot size
GBTD450	TD Grille box 450x450(internal) - specify spigot size
GBTD500	TD Grille box 500x500(internal) - specify spigot size
GBTD550	TD Grille box 550x550(internal) - specify spigot size
GBTD595	TD Grille box 595x595(external) - specify spigot size
GBTDa150	TD Grille box Acoustic 150x150(internal)
GBTDa200	TD Grille box Acoustic 200x200(internal)
GBTDa225	TD Grille box Acoustic 225x225(internal)
GBTDa250	TD Grille box Acoustic 250x250(internal)
GBTDa300	TD Grille box Acoustic 300x300(internal)
GBTDa350	TD Grille box Acoustic 350x350(internal)
GBTDa375	TD Grille box Acoustic 375x375(internal)
GBTDa400	TD Grille box Acoustic 400x400(internal)
GBTDa450	TD Grille box Acoustic 450x450(internal)
GBTDa500	TD Grille box Acoustic 500x500(internal)
GBTDa550	TD Grille box Acoustic 550x550(internal)
GBTDa595	TD Grille box Acoustic 595x595(external)
NSgb TD	TD Grille box - Manufactured Non Standard

See also Price Catalogue p52

Dimensions on next pages

**Note:** Use NSgbTD code for any deviation from standard drawing



TD panel Grille Boxes

Continued on next page

*Due to a policy of continuous development, prices and specifications are subject to change without notice.*

**Christchurch** 351c Blenheim Rd  
(From 2019: 264 Annex Rd), PO Box 8358  
**Riccarton** 03 343 6184

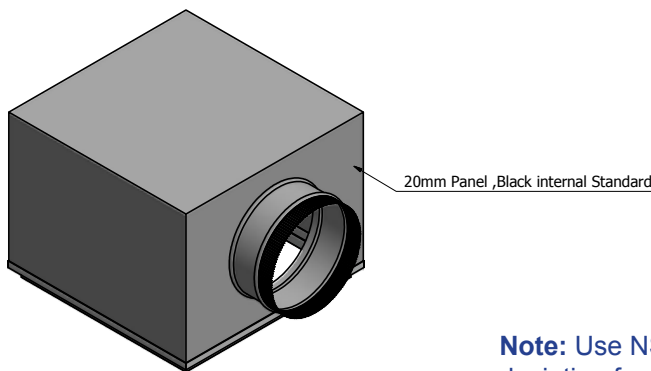
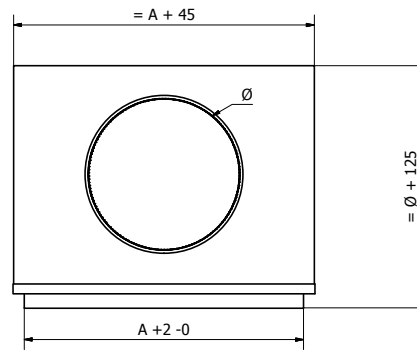
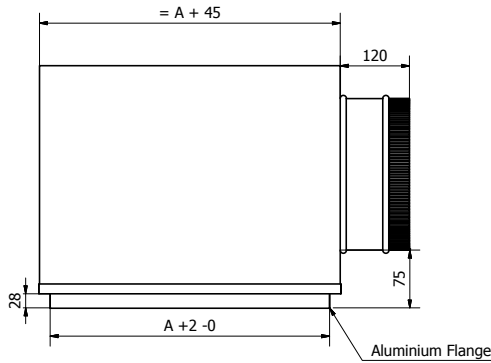
**Wellington**  
18 Armidale St, (PO Box 8358, Chch)  
**Petone** 04 566 7969

**Auckland**  
6 Stanway Pl, PO Box 12-243  
**Penrose** 09 579 3257

**0800 SMOOTH** (0800 766 684)  
www.smooth-air.co.nz  
sales@smooth-air.co.nz

**GBTD insulated TD grille boxes** continued

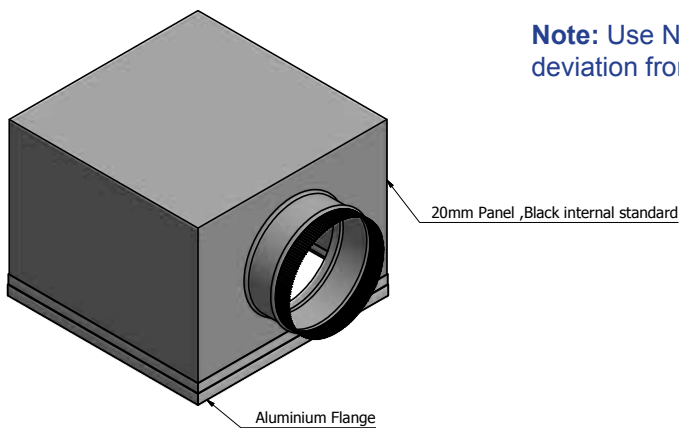
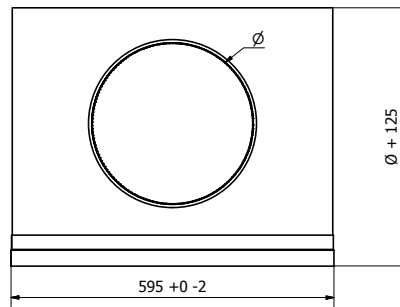
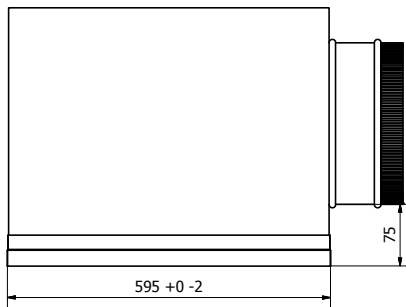
**GBTD150-600**



CODE	DIM (A)	Spigot Sizes Available
GBTD150	150	100,125
GBTD200	200	100,125,150
GBTD225	225	100,125,150,200
GBTD250	250	100,125,150,200
GBTD300	300	100,125,150,200,250
GBTD350	350	100,125,150,200,250,300
GBTD375	375	100,125,150,200,250,300,350
GBTD400	400	100,125,150,200,250,300,350
GBTD450	450	100,125,150,200,250,300,350,400
GBTD500	500	100,125,150,200,250,300,350,400,450
GBTD550	550	100,125,150,200,250,300,350,400,450,500
GBTD600	600	100,125,150,200,250,300,350,400,450,500,550

**Note:** Use NSgbTD code for any deviation from standard drawing

**GBTD595**



**Note:** Use NSgbTD code for any deviation from standard drawing

SPIGOT SIZES AVAILABLE:  
100,125,150,200,250,300,350,400,450,500,550

Due to a policy of continuous development, prices and specifications are subject to change without notice.

Continued on next page

**Christchurch** 351c Blenheim Rd  
(From 2019: 264 Annex Rd), PO Box 8358  
Riccarton 03 343 6184

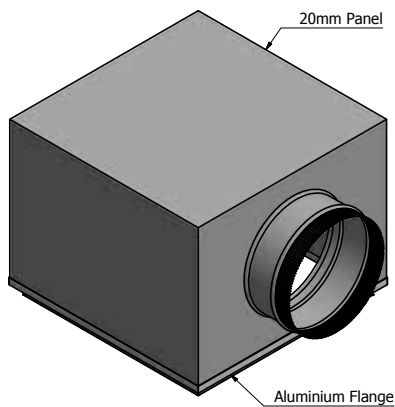
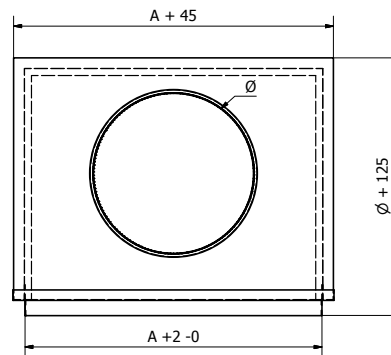
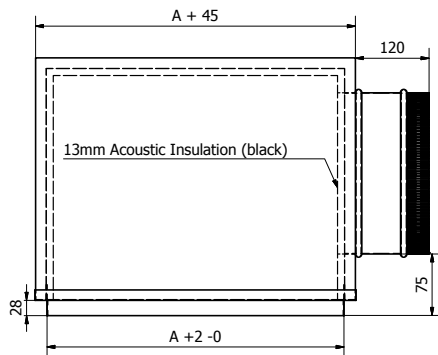
**Wellington**  
18 Armidale St, (PO Box 8358, Chch)  
Petone 04 566 7969

**Auckland**  
6 Stanway Pl, PO Box 12-243  
Penrose 09 579 3257

**0800 SMOOTH** (0800 766 684)  
www.smooth-air.co.nz  
sales@smooth-air.co.nz

## GBTDa Acoustic lined insulated TD grille boxes

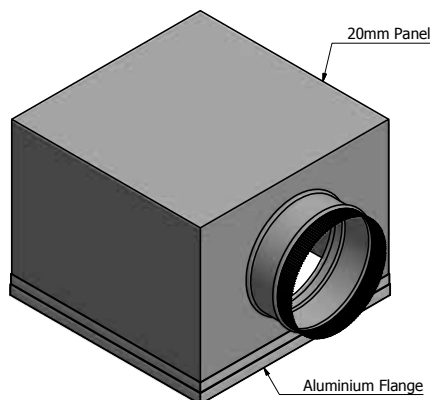
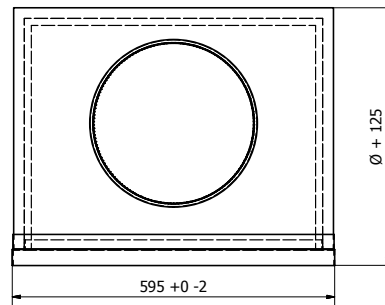
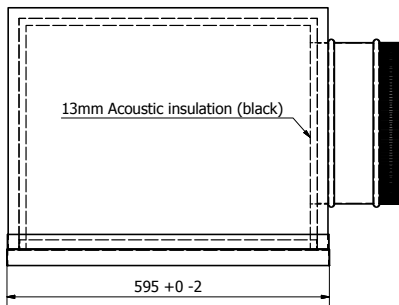
### GBTDa150-600



CODE	DIM (A)	Spigot Sizes Available
GBTDa150	150	100
GBTDa200	200	100,125,150
GBTDa225	225	100,125,150
GBTDa250	250	100,125,150,200
GBTDa300	300	100,125,150,200,250
GBTDa350	350	100,125,150,200,250,300
GBTDa375	375	100,125,150,200,250,300
GBTDa400	400	100,125,150,200,250,300,350
GBTDa450	450	100,125,150,200,250,300,350,400
GBTDa500	500	100,125,150,200,250,300,350,400,450
GBTDa550	550	100,125,150,200,250,300,350,400,450,500
GBTDa600	600	100,125,150,200,250,300,350,400,450,500,550

**Note:** Use NSgbTD code for any deviation from standard drawing

### GBTDa595



**Note:** Use NSgbTD code for any deviation from standard drawing

SPIGOT SIZES AVAILABLE:

100,125,150,200,250,300,350,400,450,500,550

Due to a policy of continuous development, prices and specifications are subject to change without notice.

**Christchurch** 351c Blenheim Rd  
(From 2019: 264 Annex Rd), PO Box 8358  
**Riccarton** 03 343 6184

**Wellington**  
18 Armidale St, (PO Box 8358, Chch)  
**Petone** 04 566 7969

**Auckland**  
6 Stanway Pl, PO Box 12-243  
**Penrose** 09 579 3257

**0800 SMOOTH** (0800 766 684)  
www.smooth-air.co.nz  
sales@smooth-air.co.nz