

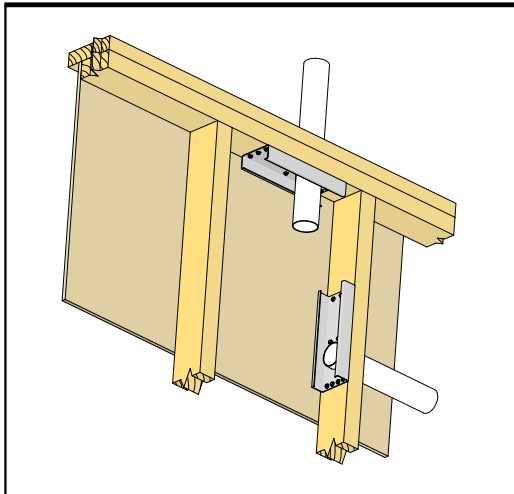
Frame Fix

Frame Fix

Code	Description
PFF	Pryda Frame Fix Plate designed to re-instate the integrity of a penetrated top plate or stud



Plate designed to re-instate the integrity of a penetrated top plate or stud.



Specifications

Size:	240 x 86 x 35/35mm
Material:	1.6mm G300 Z275 galvanised steel
Packing:	10 per carton
Product Code:	PFF

Durability

The durability of the Frame Fix is in accordance with the acceptable solutions contained in Table 4.1 of NZS3604:2011 and is intended for use in internal "closed spaces". It is not suitable where NZS3604:2011 specifies stainless steel.

Features

The Pryda Frame Fix (PFF) has been designed to allow a service hole of no greater than 60mm to be drilled through a top plate (including top plate packer if used) or wall stud to allow services such as air conditioning or central vacuum pipes to be passed through the member. The fitting of a PFF re-instates the integrity of the penetrated top plate or stud.

Advantages

- Unique design provides greater top plate uplift resistance capacity
- Quick and easy to install
- Leaves clean faces to outside edges of the timber frames.
- Fixing is by Type 17 hex head screws. All holes shall be filled
- Comes in one size, designed for use with 90x45mm and 140x45mm timber only
- Allows an easy solution to fix penetrations in frames made by other trades
- Timber grade can be SG8 or better
- Easily specified by using the Pryda Code PFF

Application

The PFF is intended to re-instate the structural integrity of both 90 x 45mm and 140 x 45mm wall frame top plates (including a top plate packer if used) or wall studs that have had a service hole of no greater than 60mm diameter drilled through it's centre.

Installation

Prior to use the PFF shall be stored in a weatherproof environment and be protected from moisture. Care must be taken to avoid any damage to the surface of the product that may affect the protective galvanised coating. Installation is self evident and normal good building practice is assumed during installation. The 60mm service hole can be made in any position along the stud or top plate provided that the hole edge is no closer than 45mm from a stud or nog/dwang. The 60mm hole shall be centred across the top plate or stud to accommodate the pre-punched PFF. The PFF shall be fitted to the inside of the frame leaving clean faces to both outside edges of the timber. When being used as a top plate stiffener with top plate packer then Type 17 14g x 75mm hex head screws shall be used. With stud or single top plate applications then Type 17 12g x 35mm hex head screws shall be used.

Due to a policy of continuous development, prices and specifications are subject to change without notice.

Christchurch 264 Annex Rd, PO Box 8358 Riccarton 03 343 6184	Wellington 18 Armidale St, (PO Box 8358, Chch) Petone 04 566 7969	Auckland 6 Stanway PI, PO Box 12-243 Penrose 09 579 3257	0800 SMOOTH (0800 766 684) www.smooth-air.co.nz sales@smooth-air.co.nz
---	--	---	---